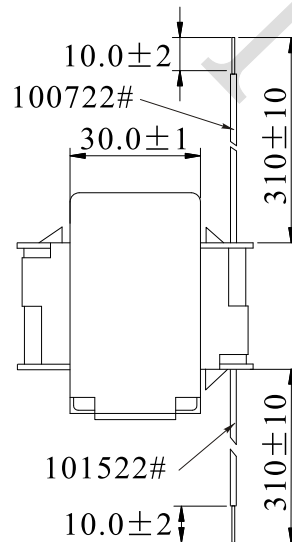
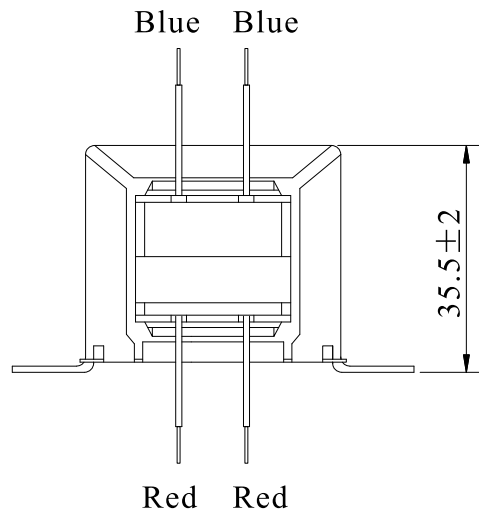
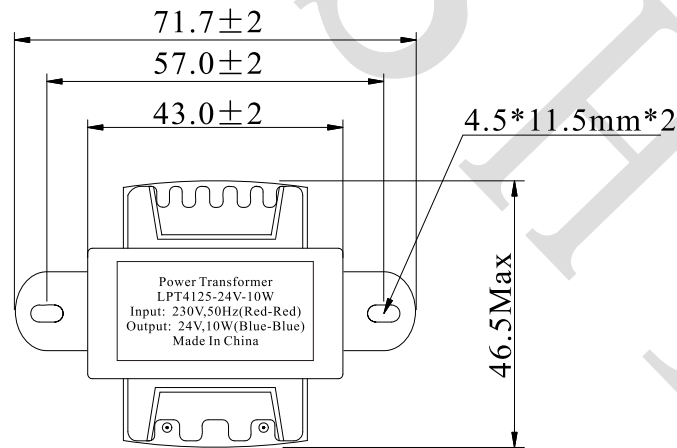
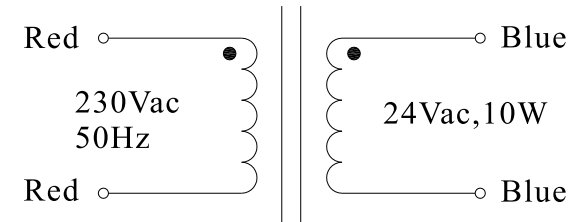


Rev.	Description	Date
A0	New release	2023.03.20

### 1. PHYSICAL CHARACTERISTICS (mm)



### 2. ELECTRONICAL SCHEMATIC



### 3. ELECTRONICAL SPECIFICATIONS

- Pri rated voltage: 230Vac,50Hz
- Pri no load current: 35mA Max
- Sec load voltage: 24Vac±5%@417mA
- Sec no load voltage: 28Vac±5%
- Hi-Pot: 2000KV,50Hz,1mA,5S. Pri to Sec
- Storage temperature: -5°C to +60°C
- Operating temperature: -5°C to +85°C

NAME:	Power Transformer		
CUSTOMER P/N:		DATE:	2023-03-20
SHINHOM P/N:	LPT4125-24V-10W	REV:	A0
DRAWN BY:	CHECKED BY:	APPROVE BY:	



**SHINHOM**

SHAANXISHINHOM ENTERPRISE CO LTD

The Document property belong to SHINHOM & is not allowed to be duplicated without authorization